
USER'S MANUAL
Kodiak Series Wireless Trail Camera

Contents

1. Introduction	0
1.1 Functionality Introduction.....	Error! Bookmark not defined.
1.2 Applications	0
1.3 Power Supply	1
1.4 Attention.....	1
1.5 Key Features	1
2. Camera Views	Error! Bookmark not defined.
2.1 Figure 1: Front View of Camera;.....	2
2.2 Figure 3.2: Bottom View of Camera;.....	3
2.3 Figure 3.3: Side View of Camera.....	3
2.4 Figure 3.4: Internal View of Camera	4
2.5 Function Keys & Other Details.....	5
3. Quick Start	5
3.1 How to Start the Camera	5
3.2 How to Adjust Camera Settings.....	5
4. Operation List.....	6
4.1 Video/Photo Playback.....	6
4.2 Delete:	6
4.3 Format the SD Card	6
4.4 Operation Menu	7
5. Specifications.....	8
6. SD Card Selection.....	9
6.1 SD Card Selection	9
7. Troubleshooting.....	10
7.1 Photos Do Not Capture Subject of Interest.....	10
7.2 Camera Stops Taking Images or Won't Take Images	10
8. Warranty.....	11
8.1 Warranty.....	11

1. Introduction

Thank you for choosing Kodiak Series Trail Cameras from Comanche Outfitters. Kodiak Series Cameras are the first trail cameras on the market with fully integrated Wi-Fi functionality, without the need for any external remotes or accessories. You are about to experience the future of trail camera technology.

1.2 Applications

This camera is designed for home security, warehouse surveillance, and, most importantly, scouting for game. Camera installation takes less than a minute to complete, and is capable of running for several months on one set of batteries. This

allows the camera to be installed in virtually any location regardless of the availability of external power sources. The camera can also be used to take photos and videos manually at will.

- a. Instant surveillance camera for home, office, construction site, and warehouse, etc.;
- b. Motion-triggered infra-red night vision surveillance;
- c. Animal observation and hunting;

1.3 Power Supply

A. AA Alkaline Batteries

Kodiak Series Trail Cameras can operate on either 4 or 8 AA Alkaline or Lithium batteries. For maximum performance we recommend using 8 Energizer Ultimate Lithium AA batteries. Please note that rechargeable batteries cannot be used with this camera, as the voltage of rechargeable AA batteries (1.2V) is insufficient to power the device. Ensure that the batteries are inserted into both battery compartments (front portion and rear portion) correctly, as incorrect battery installation can cause the camera to malfunction.

B. Solar Panel

Kodiak Series Trail Cameras are designed to be able to work with most standard 6~12V lithium battery built-in solar panels. If you are unsure if your solar panel is compatible please contact us.

C. Power Adapter

The camera can also be powered by an external 6~12V DC adapter. We recommend removing the AA batteries from the device when an external power adapter is used.

1.4 Attention

1. Please insert the SD memory card correctly, this camera does not support SD card hot swap (insertion).
2. Please use high quality AA batteries to ensure maximum performance and durability.
3. Remember to use the correct adapter (6V/1A or 2A) for this unit, and do not invert the electrode when installing batteries.
4. When in Live View mode, the camera screen will automatically power off after 1 minute of inactivity. Hold the ON button again to reactivate it.
5. Make sure that the camera's power supply is not interrupted during the firmware upgrade process.
6. Do not frequently insert or pull out the SD card or battery/adapter when the camera is powered on.
8. Try not to position the camera next to heat producing objects such as air conditioner exhaust vents, lights, etc. to avoid photo/video recordings.

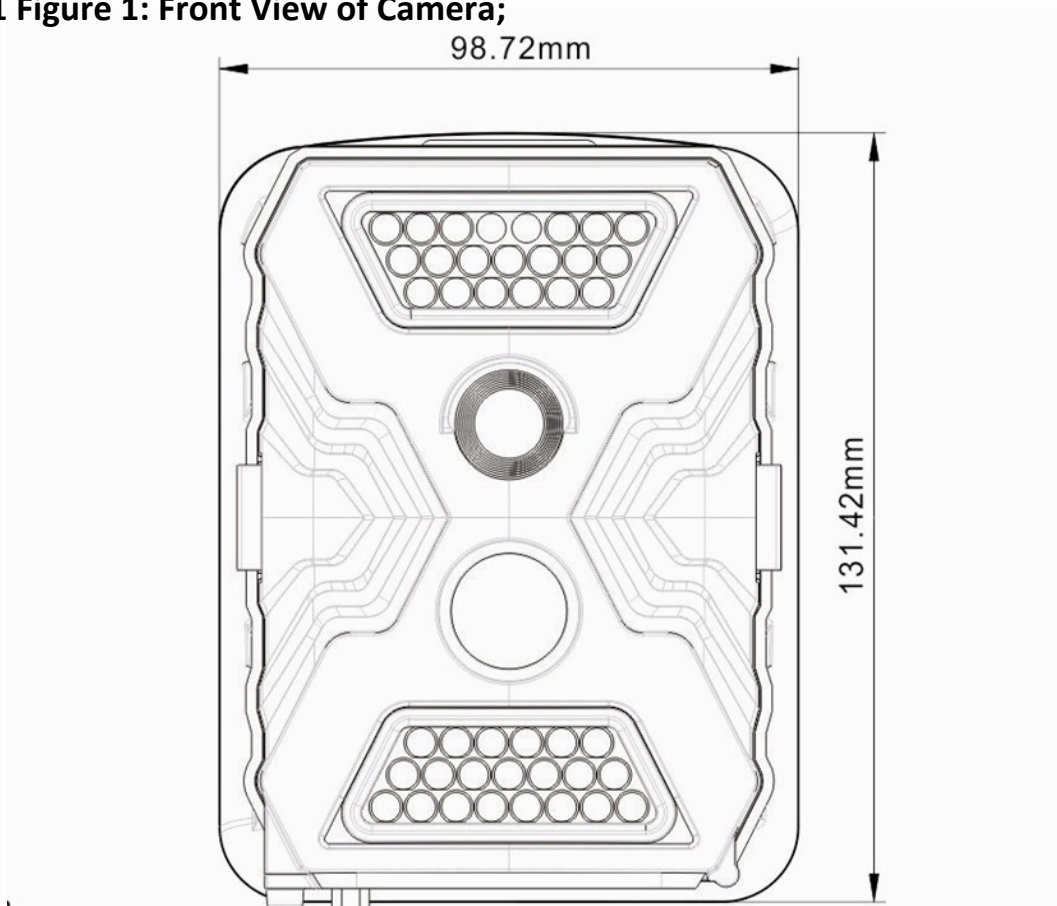
1.5 Key Features

- a. Programmable 5/8/12 Megapixel high-resolution still images;

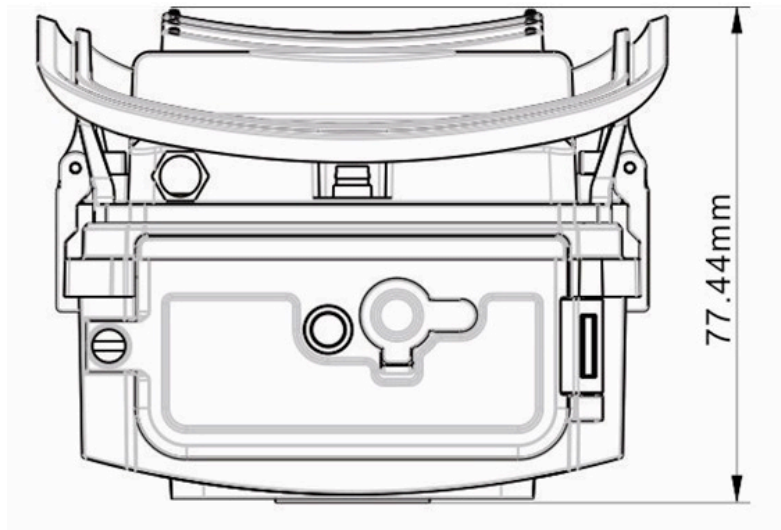
-
- b. User friendly interface;
 - c. **Optional built-in audio playback;**
 - d. 40 IR LEDs for flash range as great as 65 feet;
 - e. Adjustable PIR sensitivity;
 - f. Multi-shot photo capture (up to 7 photos per trigger);
 - g. Rapid trigger time of 0.8 seconds
 - h. Supports standard 6~12V solar panels;
 - i. Full color daytime photos; incredibly detailed black and white night photos.
 - j. Adjustable delay between triggers;
 - k. Up to 5 months of standby time using 8 Alkaline AA batteries ;
 - l. Over a year of standby time using Energizer Ultimate Lithium AA batteries;
 - m. Operating temperature: -25°F to 140°F;
 - n. Time Lapse function for automatically recording pictures/videos at preset intervals;
 - o. Adjustable timer allows the camera to be programmed to work only during preset time periods each day;
 - p. Each photo includes a stamp with the following information: **USER LABEL**, date, time, temperature and moon phase. This allows the user to identify where and when the photo was taken;
 - q. Built-in 2.0" TFT color screen allows users to view photos and videos directly on the camera.
 - r. High-quality audio recording;
 - s. Two different TV OUT settings allow users to connect their camera to an external television for media playback.

2. Camera Views

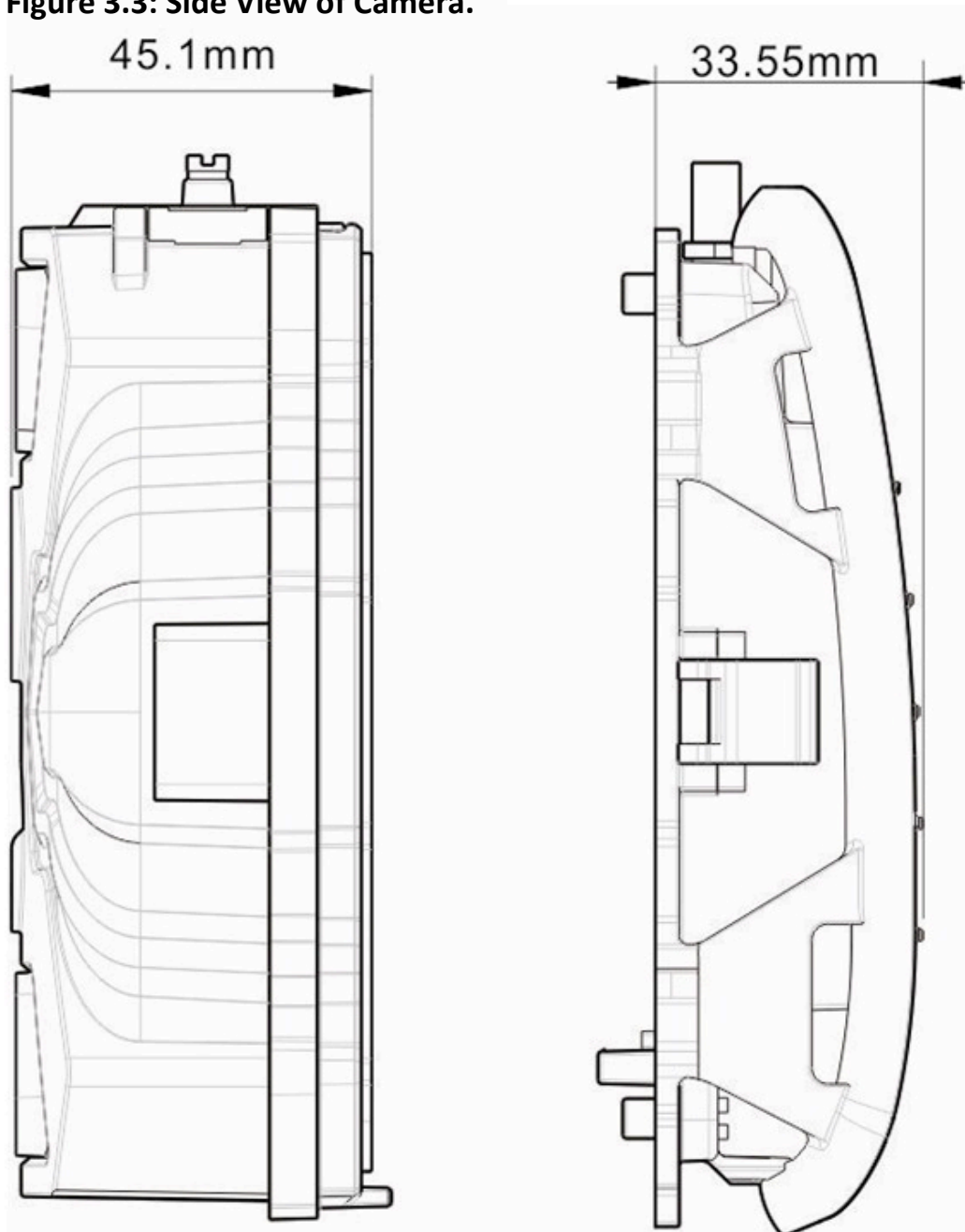
2.1 Figure 1: Front View of Camera;



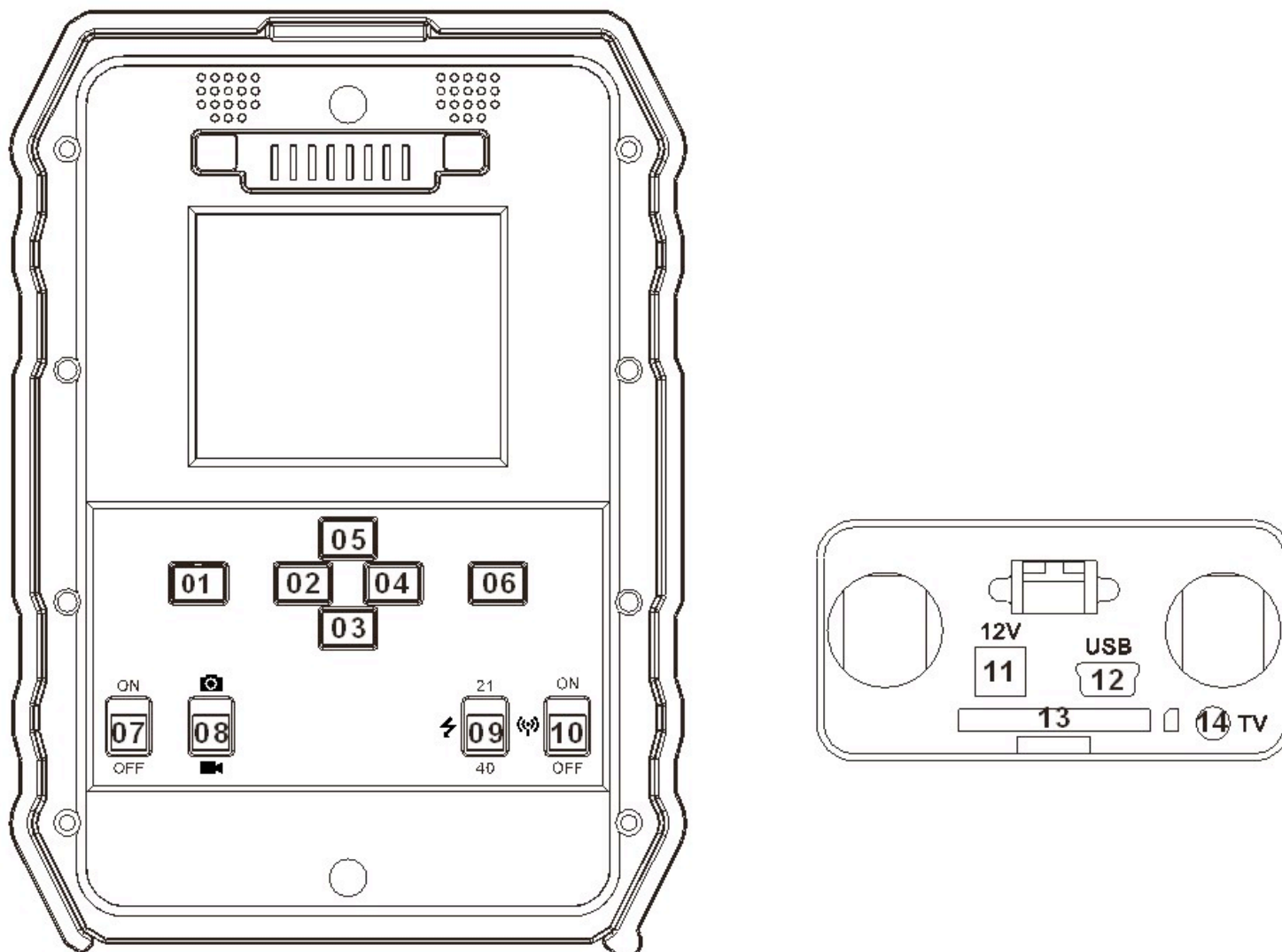
2.2 Figure 3.2: Bottom View of Camera;



2.3 Figure 3.3: Side View of Camera.



2.4 Figure 3.4: Internal View of Camera



Introduction of each button

a) Buttons

01: Menu; **02/ 03/ 04/ 05:** navigation arrow buttons; **06:** OK

b) Switches

07: Power Switch; **08:** Camera/Video Switch; **09:** IR LED Group Switch; **10:** Future upgrade switch (leave off)

c) Interfaces

11: 12V DC in; **12:** USB Port; **13:** SD Card Slot; **14:** TV Out.

2.5 Function Keys & Other Details

A. Switches

Power Switch	Switch up: Power On —PIR intelligent automatic monitoring; light sensor flashes 5 times before entering "Power On" Mode Switch "On", press "OK" once to wake up camera LCD screen and enter Live View Mode; Press and hold "OK" button for 5 seconds to get back to "Power On" mode Switch down: OFF —Camera shuts off completely
Video/Photo Switch	Switch up: Photo —Photograph Mode Switch down: Video —Video Recording Mode
IR LED Group Switch	Switch up: 19 —Top 19 IR LEDS will be active Switch down: 40 —All 40 IR LED will be active
Future Upgrade Switch	Leave in the off position

B. Navigation buttons

- Switch power to "On", hold "OK" for 5 seconds to activate the camera LCD screen and enter Live View Mode;
- In Live View Mode press "Menu (M)" once to enter the camera settings menu; Press "OK" to capture photo(s) or video clips.
- In Live View Mode, navigate the interface by pressing "←", "↑", "→", or "↓", press "OK" for selection. To modify the selection, press "↑" and "↓" again and press "OK" to confirm. To return to the previous menu, press "Menu".
- Press and hold the "OK" button for 5 seconds to return to "Power On" mode.

3. Quick Start

3.1 How to Start the Camera

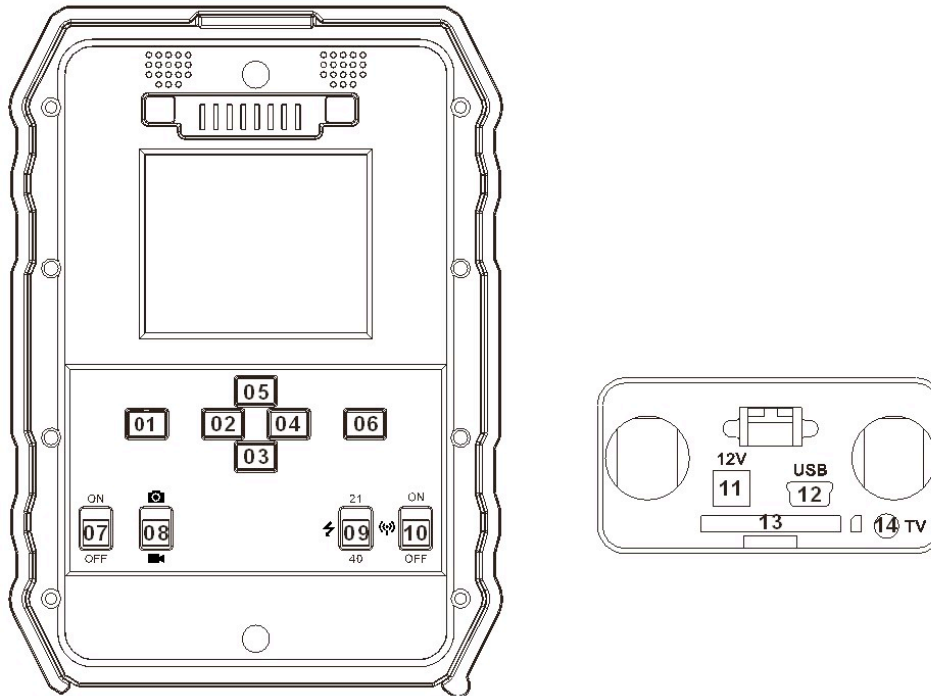
Switch button ⑦ to "ON", hold button ⑥ "OK" for 5 seconds to activate the camera LCD screen (to enter Live View Mode.) In order to prepare the camera for installed use (motion detection mode), all the user needs to do is switch the power switch to the "ON" position, then reconnect the front portion of the camera with the rear portion.

3.2 How to Adjust Camera Settings

- In Live View Mode, press button ① "Menu" once to enter the camera settings menu;
- Navigate the menu interface by pressing "←", "↑", "→", or "↓", press "OK" for selection. To modify the selection, press "↑" and "↓" again and press "OK" to

confirm. To return to the previous menu, press “Menu”.

- E. Exit Menu, then press button ⑥ “OK” for 5 seconds to return the camera to motion detection mode.
- F. Switch button ⑧ to switch “Photo”/ “Video Recording”;
- G. Switch button ⑨ to turn on 19 IR LEDs or all 40 IR LEDs.
- H. Leave button ⑩ in the “OFF” position.



4. Operation List

4.1 Video/Photo Playback

In **Live View** Mode press the arrow button “↑” to enter Playback; press “←” and “→” for selection, “OK” to play photo/video. Press button “↑” again to return. Press “Menu” button to initiate Deletion of files or to format the SD card.

4.2 Delete:

- a. Delete one: delete selected photo/video;
- b. Delete All.

Press “↑” and “↓” for selection, and “OK” to confirm, then “MENU” to return to the previous interface.

4.3 Format of SD Card

- a. No
- b. Yes: Deletes all content on the SD card.

Press “↑” and “↓” for selection, “OK” to confirm, and “MENU” to return.

4.4 Operation Menu

In Live View Mode, Press “Menu” once to enter the camera settings menu; then navigate the settings interface by pressing “←”, “↑”, “→”, or “↓”, press “OK” for selection, and “Menu” to return back to the previous menu.

Main Menu	Default Setting	Functions Description
1. Camera ID	OFF	Select “ON” to set a 4 character ID for the camera for identifying which camera captured each photo.
2. Camera + Video	OFF	Select “ON” to enable the camera to take simultaneous photos and video based on Video Length and Multi-shot user settings.
3. Multi-Shot	1P	Adjustable 1-7 photos per trigger
4. Image Size	5MP	12MP/8MP/5MP 4000x3000, 3264x2448, 2592x1944
5. Video Size	640	HD/640/320: 1080x720/640x480/320x160
6. Video Frame	30FPS	30fps/15fps, programmable
7. Digital Zoom	NO	Optional 2x, 3x, or 4x zoom
8. Video Length	5 Sec	Adjustable between 5-60 seconds
9. PIR Sensitivity	Middle	High/ Middle/ Low; We highly recommend setting the PIR (motion detector) sensitivity to High when used in high temperature environments.
10. Timer	OFF	Select “ON” to set the start time and end time (hour/minute); if activated, the camera will only operate during this interval.
11. Time Lapse	OFF	Select “ON”, to set the interval; PIR sensor will be turned off; camera will shoot photos or video clips automatically at the user set intervals. Configurable interval: 5 seconds to 24 hours.
12. Delay	OFF	The pre-set time interval you desire between photo/video recordings upon motion. This option prevents the camera from taking too many photos of each subject. Example: Camera will wait 1 minute between photo/video recordings with motion Configurable delay time: 5 seconds to 2 hours.

13. Audio Recording	ON	Select "ON", audio available in video clips.
14. TV Out	N	NTSC/PAL
15. Stamp	ON	To select or cancel imprinting of programmed user label, moon phase, temperature, date, and time on photos.
16. Frequency	50Hz	Improper settings may cause the camera screen to flicker
17. Language	English	English, German, French,...
18. Time/Date	01/ 01/ 2011 12: 00	Date/Time; Date: "month/ date/ year"; Time: "hour/minute"
19. Camera Sound	ON	Select "OFF" to turn off camera speaker.
20. Cycle Recording	OFF	When turned "ON", the camera will continue to record photos/videos after the card is full by deleting the earliest photos or video clips recorded on the SD card.
21. Password	OFF	Select "ON" to enable password protection for your camera; supports up to 6 characters
22. Reset	No	Select "Yes" to reset the camera back to factory default settings.

5. Specification

Image Sensor	5 Mega Pixels Color CMOS
Effective Pixels	2560x1920
Day/Night Mode	Yes
IR range	65 feet
IR Setting	Top: 19 LEDs, Bottom: 21 LEDs
Memory	SD Card (8MB – 32 GB)
Operating keys	10
Lens	F=3.0; FOV=52°; Auto IR-Cut-Remove (at night)
LCD Screen	2" TFT, RGB, 262k
PIR Sensitivity	3 sensitive levels: High / Normal / Low
PIR distance	39ft-65ft
PIR Angle	60°
Picture size	5MP/8MP/12MP = 2592x1944/3264x2448/4000x3000
Picture Format	JPEG
Video resolution	720P (1280x720), 640x320, 320x160
Video Format	AVI
Video Length	1-60 sec. programmable
Multi-Shot	1-7
Trigger Time	0.8 seconds
Trigger Interval	2s-5s

Camera + Video	Yes
Playback Zoom in	2x, 3x, 4x
Device Serial No.	Yes
Time Lapse	Yes
Beep Sound	ON/OFF
SD Card cycle	ON/OFF
Operation Power	Battery: 6V; DC: 12V
Battery Type	8AA (Optional 4 AA)
External DC	12V
Stand-by Current	0.15mA
Stand-by Time	4~6 months (4×AA~8×AA)
Auto Power Off	After 60 seconds of inactivity
Power Consumption	150mA (+650mA when all 40 IR LEDs are active)
Low battery Alert	4.8V (4.8V: alert; 4.6V: power off)
Interface	TV out/USB/SD Card/DC Port
Mounting	Strap; Tripod
Operating Temperature	-25°F to 140°F
Storage temperature	-30°F to 158°F
Operation Humidity	5%-90%
Waterproof spec	IP54
Dimensions	131.42 x98.72 x77.44mm
Weight	300g
Certification	CE RoHs

6. SD Card Selection

6.1 SD Card Selection

Using a memory card is required to operate the camera. When the camera is "ON" and no memory card is inserted, the screen displays "Pls insert memory card". The SD slot of the camera has a 32 GB memory capacity. Before inserting or removing the memory card, the camera must be turned "OFF". Failing to do so may cause loss of or damage to the pictures already recorded on the memory card. When the SD card is full, the viewing screen indicates "Memory Full". The following data shows an approximate quantity of photos which can be recorded by the camera depending on the memory card capacity.

SD Card Data Tests

SD Size Capacity	1GB	2 GB	4 GB	8 GB	16 GB	32 GB
Photo (pictures)						
5MP	705	1373	2823	5517	11141	24962
8 MP	452	882	1813	3544	7157	14241
12 MP	201	392	806	1575	3181	6326
Video (hours)						
720P HD	00:09:27	00:18:32	00:38:15	01:14:53	02:31:20	04:53:40
640x480	00:26:01	00:50:48	01:44:33	03:24:27	06:52:58	13:09:27
320x160	01:14:07	02:24:28	04:57:04	09:40:39	19:32:30	39:15:10

7. Troubleshooting

7.1 Photos Do Not Capture Subject of Interest

1. Check the “Sensor Level” (PIR sensitivity) parameter setting. For warm environmental conditions, set the Sensor Level to “High” and for cold weather use, set the sensor to “Low”.
2. Try to set your camera up in an area where no heat sources are in the camera’s field of view.
3. In some cases, setting the camera near water will cause the camera to take images with no subject in them. Try to place the camera over ground.
4. Try to set camera on stable and immovable objects, i.e.: large trees.
5. At night, the motion detector may detect beyond range of the IR illumination. Reduce distance setting by adjusting sensor sensitivity.
7. Rising sun or sunset can trigger the sensor. The camera may take a moment to take proper photos again.
8. If a person/animal moves extremely quickly, it may move out of the camera’s field of view before a photo is taken. Move the camera further back or redirect camera’s view.

7.2 Camera stops taking images or won’t take images

1. Please make sure that the SD card is not full. If the card is full, the camera will stop recording images. Or the user can turn on the Cycle Recording feature to avoid such problems.
2. Check the batteries to make sure that they still contain enough power for the camera to operate properly.
3. Make sure that the camera power switch is in the “On” position and not in the “Off” or “Live View” modes.
4. Please format the SD card with the camera before using, and reformat it if the

camera stops taking images.

Warranty

Full Two-Year Warranty on Kodiak Series Cameras

What is Covered

This warranty covers any factory defects or malfunctions in your Kodiak Series Camera

How Long Coverage Lasts

This warranty lasts for 2 years from the date you receive your Kodiak Series Camera

What is Not Covered

Any damage or problems caused to the camera by batteries, unapproved accessories, abuse, misuse, or failure to properly follow the instructions for use listed in the manual.

What Comanche Outfitters Will Do

Comanche Outfitters will repair or replace any defective units covered under this warranty at no cost to the consumer. Comanche Outfitters will cover all costs related to the transportation and repair/replacement of the unit.

How To Get Service

Contact Comanche Outfitters via any of the means listed below, and a service representative will assist you within 72 hours of receiving your request for service.

Phone: 844-GAMECAM (426-3226)

E-mail: support@kodiakcamera.com

Mail: 2231 Landmark Place, Manasquan, NJ 08736

How State Law Applies

This warranty gives you specific legal rights, and you may also have other rights which vary from state to state.